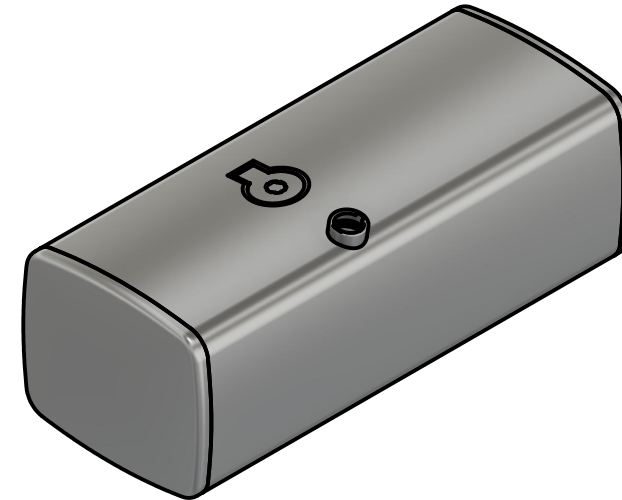
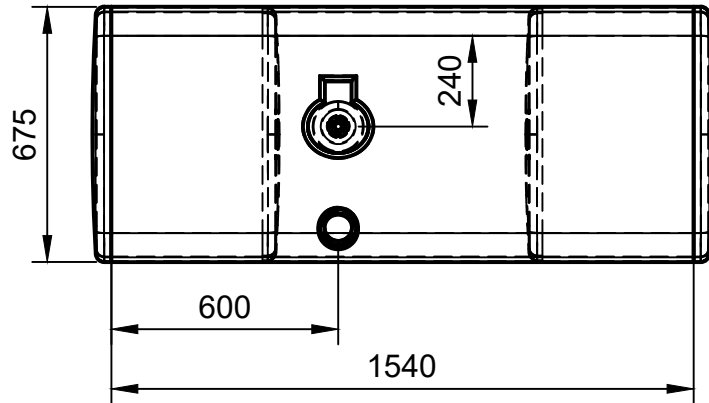


A (1:10)



1/2" MALE-FEMALE TREAD



DAF OEM:  
GALVANIZE : 1681821-1605006



KOCAELI METAL DEPO  
02623711442-46  
gokhan.tunali@kmd.com.tr  
www.kmd.com.tr

TITLE:  
575X675X1640 DAF FUEL TANK

PRODUCT CODE: 5867164001	DATE:	LITER: 560 L
-----------------------------	-------	-----------------

DRAWN :	MATERIAL:		
APPROVED:	WEIGHT :	DWG NO: 58670005F	
CUSTOMER:	SCALE : 1:16	SHEET 1 OF 1	A4